

Illustration - Type - E

3 603 JC8 000
 Stand | 18-08
 Issue | 21-05-10

Fig./Abb. 1

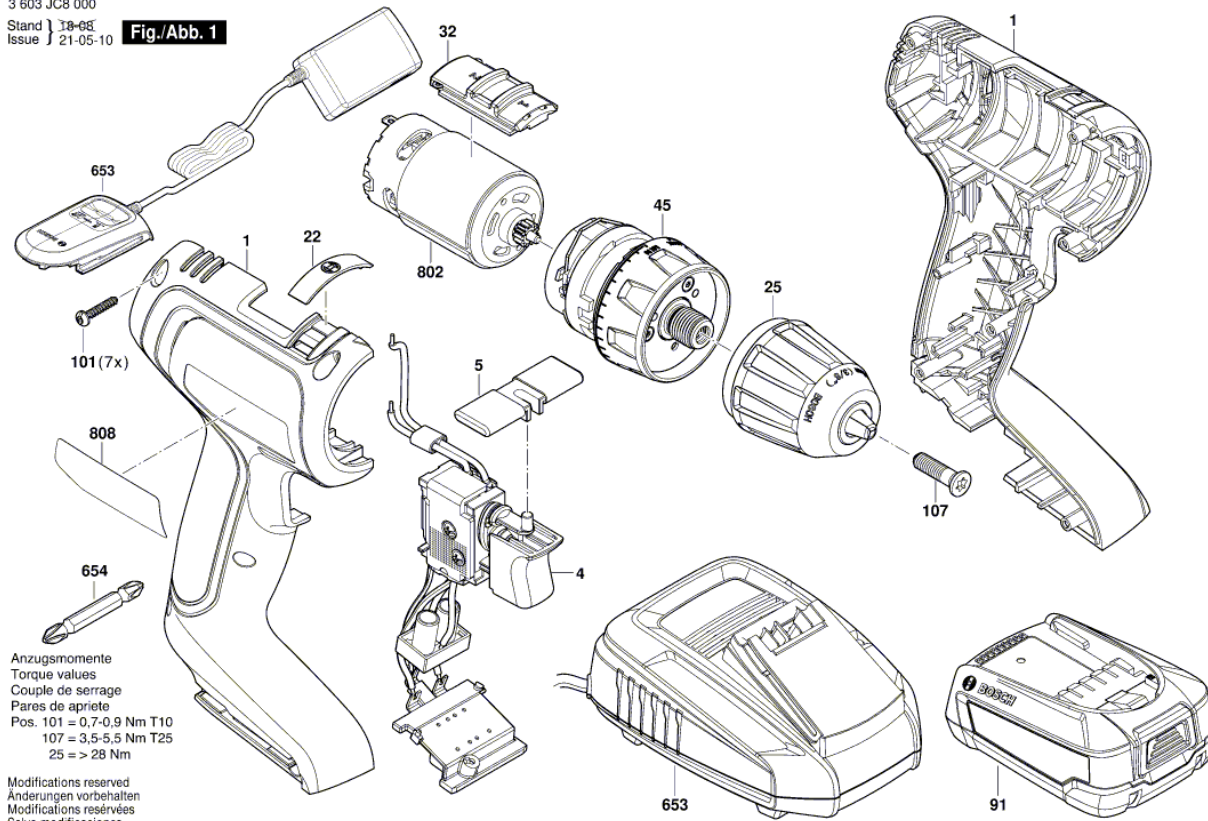
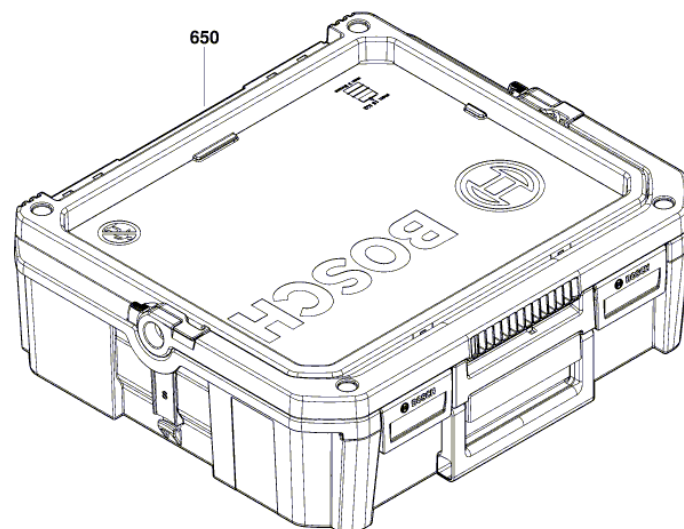


Illustration - Type - E

3 603 JC8 000
Stand } 23-03-27
Issue } **Fig./Abb. 2**



Änderungen vorbehalten
Modifications reserved
Modifications réservées
Salvo modificaciones

Spare parts list

Item	Part Number	Description	Illustration
1	1 605 806 5VR	Housing	1
4	2 607 202 396	Electronics Module	1
5	1 600 A01 AA2	Change-Over Switch	1
22	1 600 A01 AS2	Symbol plate	1
25	1 600 A01 03S	Keyless Chuck	1
32	1 600 A01 B09	Switchover Unit	1
45	1 600 A01 B0A	Gear Box	1
91	1 607 A35 0JM	Battery Pack PBA 18V/1,5 Ah W-A	1
101	2 609 110 201	Torx Flat-Head Screw 3x16	1
107	2 603 421 229	Countersunk-Head Screw M6x23 LEFTHAND THREADS	1
653	2 607 226 385	Fast Charger EU AL 1810 CV 230/14,4-18V 1A	1
653	2 607 226 517	Charger EU AL 18V-20 230V 2A	1
654	2 609 160 063	Screwdriver Bit	1
802	1 600 A01 DD0	Motor assembly	1
808	1 601 11A 6KG	Nameplate	1
650	1 600 A01 3NM	Carrying Case S	2